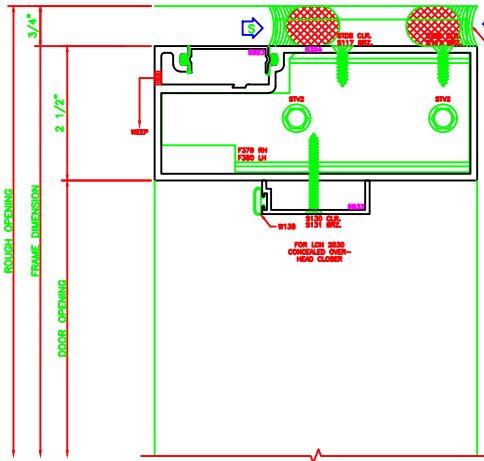


8162 HEADER  
5600 6"



8053 C.O.C. HEAD  
5600 6"

8166 O.G. VERT.  
5600 6"

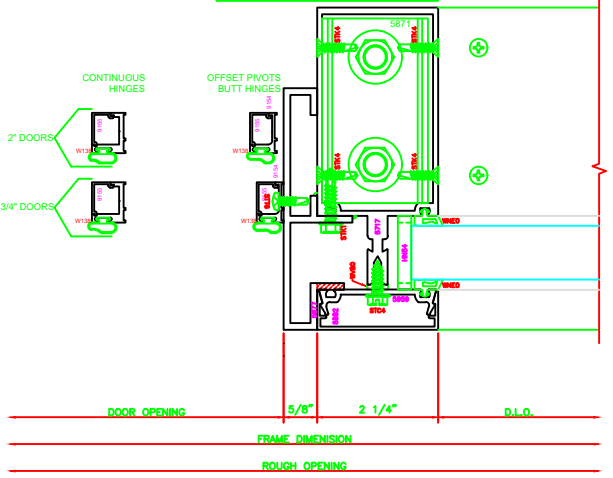
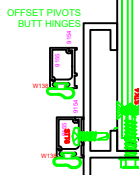
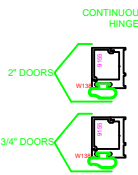
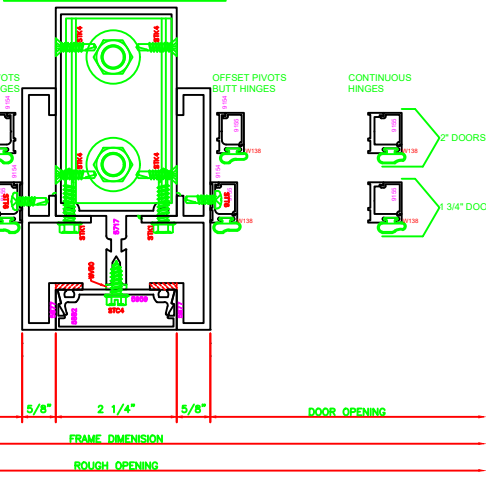
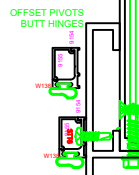
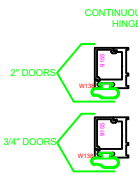
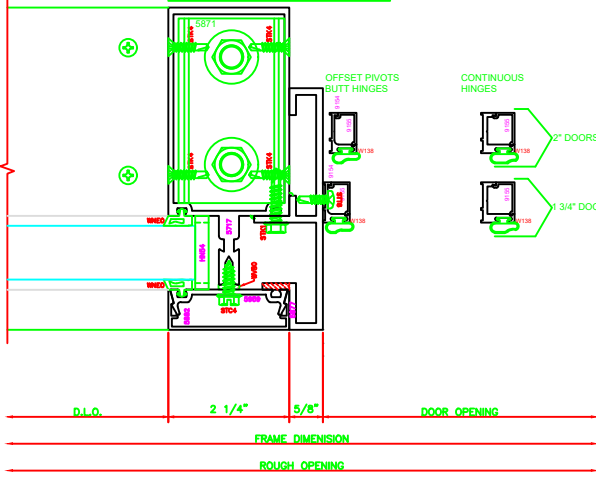
8168 O.G. VERT.  
5600 6"

8167 O.G. VERT.  
5600 6"

**ERECTOR NOTE:**  
APPLY CONTINUOUS BEAD OF SEALANT AROUND SHEAR BLOCK PRIOR TO SETTING MULLION IN PLACE.

**ERECTOR NOTE:**  
APPLY CONTINUOUS BEAD OF SEALANT AROUND SHEAR BLOCK PRIOR TO SETTING MULLION IN PLACE.

**ERECTOR NOTE:**  
APPLY CONTINUOUS BEAD OF SEALANT AROUND SHEAR BLOCK PRIOR TO SETTING MULLION IN PLACE.



8163 O.G. JAMB  
5600 6"

8164 O.G. JAMB  
5600 6"

**ERECTOR NOTE:**  
APPLY CONTINUOUS BEAD OF SEALANT AROUND SHEAR BLOCK PRIOR TO SETTING MULLION IN PLACE.

**ERECTOR NOTE:**  
APPLY CONTINUOUS BEAD OF SEALANT AROUND SHEAR BLOCK PRIOR TO SETTING MULLION IN PLACE.

